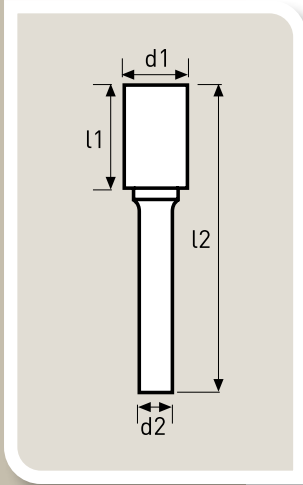

Cylinder without end cut / Silindir Düz Uçlu


d1 Dia/Çap	1.5	2.4	2.4	3	3	4
l1	6	13	13	13	13	13
d2	3	2.4	2.4	3	3	4
l2	38	38	63	38	63	50
Standard Cut Düz Kanallı	T1050	T1100		T1200		T1300
EURO	4.65	4.95		5.50		8.10
Double Cut Talaş Kırıcılı	T1050D	T1100D	T1100DL	T1200D	T1200DL	T1300D
EURO	4.65	4.95	7.80	5.50	6.60	8.10

d1 Dia/Çap	4	4	6	6	6
l1	13	16	13	19	19
d2	4	6	3	6	6
l2	63	50	45	50	75
Standard Cut Düz Kanallı		T1300-6	T1240	T1400	T1400L
EURO		8.30	7.70	11.20	14.20
Double Cut Talaş Kırıcılı	T1300DL	T1300D-6	T1240D	T1400D	T1400DL
EURO	12.10	8.30	7.70	11.20	14.20

d1 Dia/Çap	6	8	10	10	11
l1	25	19	19	25	25
d2	6	6	6	6	6
l2	50	65	65	70	70
Standard Cut Düz Kanallı		T 1500	T 1600		
EURO		12.80	14.50		
Double Cut Talaş Kırıcılı	T1400D-1	T1500D	TDX160	T1600D-1	T1650D
EURO	12.00	12.80	14.50	15.30	15.80

d1 Dia/Çap	12	12	12	16	16
l1	19	25	25	25	25
d2	6	6	8	6	8
l2	65	70	70	70	70
Standard Cut Düz Kanallı	T1700	T1700-1	T1700-1-8	T1800-6	T1800
EURO	17.30	20.50	20.50	26.50	26.50
Double Cut Talaş Kırıcılı	T1700D	TDX170-1	T1700D-1-8	T1800D-6	T1800D
EURO	17.30	20.50	20.50	26.50	26.50