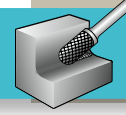


CARBIDE BURS

SERT METAL ÇAPAK ALMA FREZELERİ

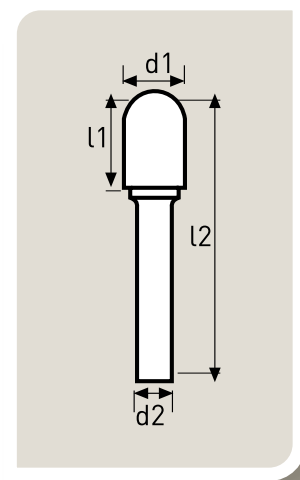


Ball Nosed Cylinder / Küre Uçlu Silindir

d1 Dia/Çap	2.5	3	3	3	4
l1	11	13	13	13	16
d2	3	3	3	3	6
l2	38	38	50	75	50
Standard Cut Düz Kanallı	T3100	T3200			T3300-6
EURO	6.30	6.30			11.80
Double Cut Talaş Kırıcılı	T3100D	T3200D	T3200DL	T3200DXL	T3300D-6
EURO	6.30	6.30	8.00	9.00	11.80



d1 Dia/Çap	5	6	6	6
l1	16	13	19	25
d2	6	3	6	6
l2	50	45	50	50
Standard Cut Düz Kanallı		T3240	T3400	
EURO		11.80	11.80	
Double Cut Talaş Kırıcılı	T3350D-6	T3240D	T3400D	T3400D-1
EURO	12.00	11.80	11.80	12.20



d1 Dia/Çap	8	10	10	11	12
l1	19	19	25	25	19
d2	6	6	6	6	6
l2	65	65	70	70	65
Standard Cut Düz Kanallı	T3500	T3600			T3700
EURO	12.70	13.90			15.00
Double Cut Talaş Kırıcılı	TDX350	TDX360	T3600D-1	T3650D	TDX370
EURO	12.70	13.90	14.40	15.00	15.00

d1 Dia/Çap	12	12	16	16
l1	25	25	25	25
d2	6	8	6	8
l2	70	70	70	70
Standard Cut Düz Kanallı	T3700-1	T3700-1-8	T3800-6	T3800
EURO	18.80	19.00	25.70	25.70
Double Cut Talaş Kırıcılı	TDX370-1	TDX370-1-8	TDX380-6	TDX380
EURO	18.80	19.00	25.70	25.70