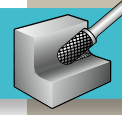
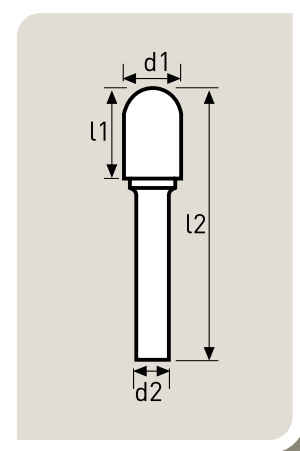
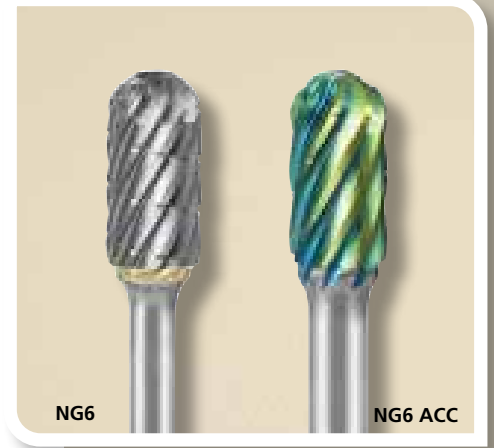


NG6 HIGH PERFORMANCE BURS NG6 YÜKSEK PERFORMANS ÇAPAK ALMA FREZELERİ

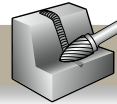


Ball Nosed Cylinder / Küre Uçlu Silindir

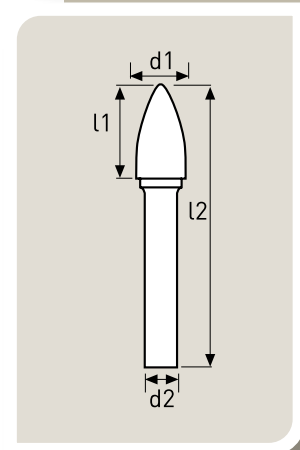
d1 Dia/Çap	6	8	10	12	16
l1	19	19	19	25	25
d2	6	6	6	6	6
l2	50	65	65	70	70
NG6 CODE /KOD	T3400 NG6	T3500 NG6	T3600 NG6	T3700-1 NG6	T3800-6 NG6
EURO	12.80	13.70	15.10	20.70	27.80
NG6 ACC COATED KAPLAMALI CODE /KOD	T3400 NG6 ACC	T3500 NG6 ACC	T3600 NG6 ACC	T3700-1 NG6 ACC	T3800-6 NG6 ACC
EURO	16.20	17.50	19.30	26.70	35.40



Tree / Çam



d1 Dia/Çap	6	8	10	12	16
l1	16	19	19	25	25
d2	6	6	6	6	6
l2	50	65	65	70	70
NG6 CODE /KOD	T6400 NG6	T6450 NG6	T6500 NG6	T6800 NG6	T6900-6 NG6
EURO	14.70	14.90	15.30	23.20	33.40
NG6 ACC COATED KAPLAMALI CODE /KOD	T6400 NG6 ACC	T6450 NG6 ACC	T6500 NG6 ACC	T6800 NG6 ACC	T6900-6 NG6 ACC
EURO	18.10	18.70	19.50	29.20	41.00



All steels, stainless steels, cast iron / Tüm çelikler, paslanmaz çelikler, dökümler.

NG6 : Up to 50% better performance / % 50 ye varan daha yüksek performans

NG6 ACC (Coated) : Up to 100% better performance / % 100 ye varan daha yüksek performans