

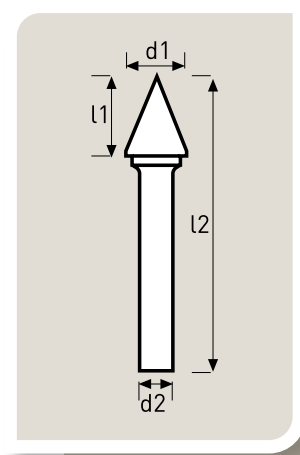
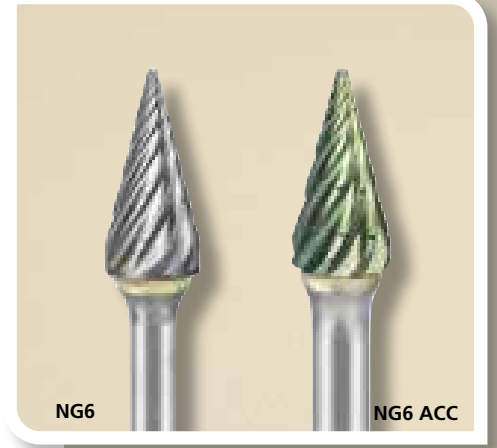
NG6 HIGH PERFORMANCE BURS

NG6 YÜKSEK PERFORMANS ÇAPAK ALMA FREZELERİ

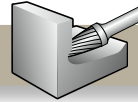


Cone / Konik

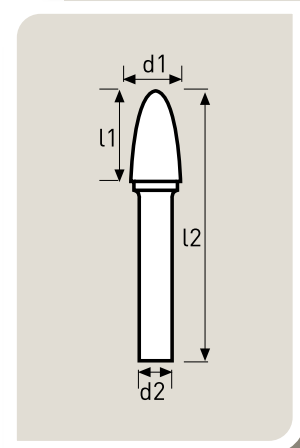
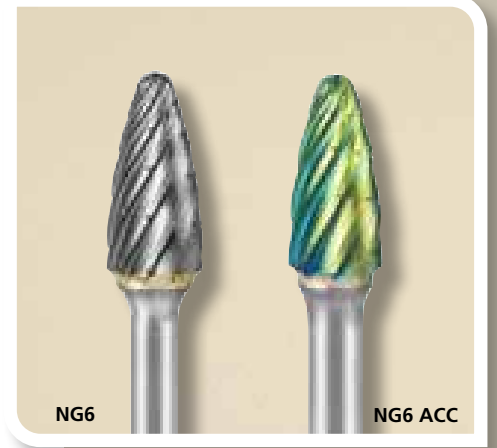
	14°	11°	28°	35°	31°
d1 Dia/Çap	6	8	10	12	16
l1	19	18.5	16	25	25
d2	6	6	6	6	6
l2	50	64	65	70	73
NG6 CODE /KOD	T2400 NG6	T2500 NG6	T 2600 NG6	T 2700-1 NG6	T2750-1-6 NG6
EURO	12.50	18.50	16.50	19.00	21.00
NG6 ACC COATED KAPLAMALI CODE /KOD	T2400 NG6 ACC	T2500 NG6 ACC	T 2600 NG6 ACC	T 2700-1 NG6 ACC	T 2750-1-6 NG6 ACC
EURO	15.90	21.90	20.70	25.00	28.60



Ball Nosed Tree / Küre Uçlu Çam



d1 Dia/Çap	6	8	10	12	16
l1	18	20	19	25	25
d2	6	6	6	6	6
l2	50	65	65	70	70
NG6 CODE /KOD	T9400 NG6	T9500 NG6	T9600 NG6	T9700 NG6	T9800-6 NG6
EURO	15.30	19.70	16.50	21.70	27.10
NG6 ACC COATED KAPLAMALI CODE /KOD	T9400 NG6 ACC	T9500 NG6 ACC	T9600 NG6 ACC	T9700 NG6 ACC	T9800-6 NG6 ACC
EURO	18.70	23.50	20.70	27.70	34.70



All steels, stainless steels, cast iron / Tüm çelikler, paslanmaz çelikler, dökümler.

NG6 : Up to 50% better performance / % 50 ye varan daha yüksek performans

NG6 ACC (Coated) : Up to 100% better performance / % 100 ye varan daha yüksek performans