

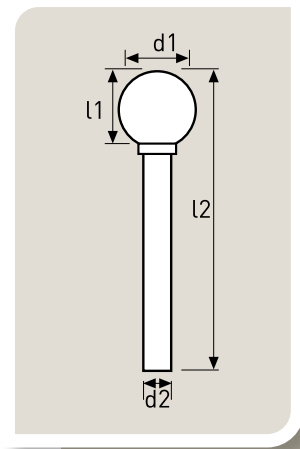
## CARBIDE BURS INOX SERIES

### SERT METAL ÇAPAK ALMA FREZELERİ PASLANMAZ SERİSİ

#### Ball / Küre



d1 Dia/Çap	3	6	6	8	10	12
l1	2.7	5.4	5.4	7.2	9	10.8
d2	3	3	6	6	6	6
l2	38	38	50	52	53	55
Inox Paslanmaz	T7200 IN	T7240 IN	T7400 IN	T7500 IN	T7600 IN	T7700 IN
EURO	18.00	19.50	18.90	17.50	16.20	26.20



#### Oval / Oval



d1 Dia/Çap	8	10	12
l1	13	16	22
d2	6	6	6
l2	58	60	67
Inox Paslanmaz	T5300 IN	T5500 IN	T5700 IN
EURO	21.20	23.70	29.50

